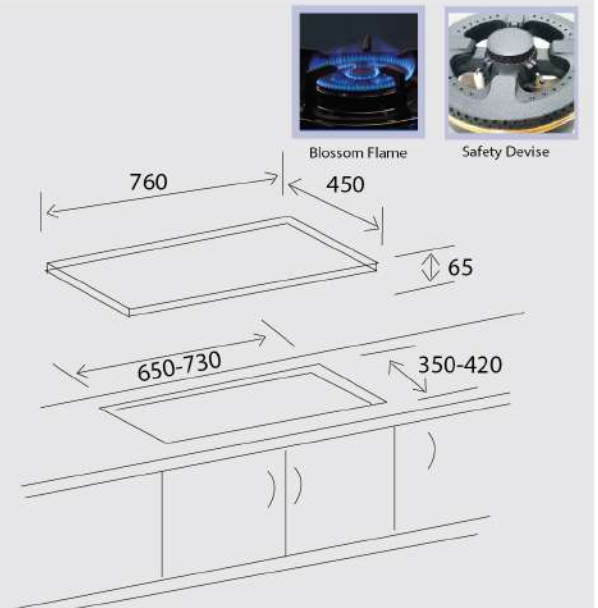




EB-338SV

General Specification:

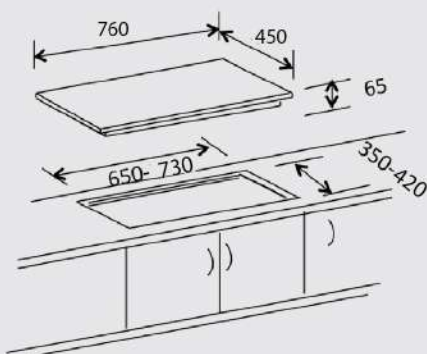
- Stainless Steel
 - Battery Operated Ignition
 - Double-Jet System (L&R) Triple-Ring
 - Cast-Iron Trivets
 - Flame Supervision Device
- Overall Dimension (mm)
W:760 x D:450 x H:65
- Cut-out Dimension (mm)
W:650-730 x D:350-420, 4-R120



EB-228SV

General Specification:

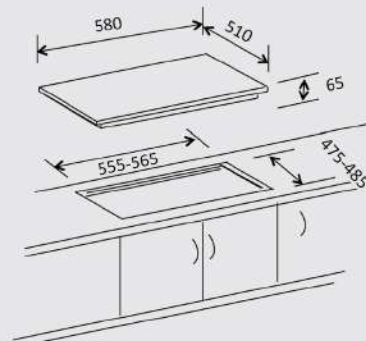
- Stainless Steel
 - Battery Operated Ignition
 - Double-Jet System (L&R) Triple-Ring
 - Cast-Iron Trivets
 - Flame Supervision Device
- Overall Dimension (mm)
W:760 x D:450 x H:65
- Cut-out Dimension (mm)
W:650-730 x D:350-420, 4-R120



EB-248SV

General Specification:

- Stainless Steel
 - Battery Operated Ignition
 - Double-Jet System (L) Triple Ring
 - Medium and Small Burners
 - Cast-Iron Trivets
 - Flame Supervision Device
- Overall Dimension (mm)
W:580 x D:510 x H:65
- Cut-out Dimension (mm)
W:555-565 x D:475-485, 4-R30





OS-802SV

General Specification:

- Stainless Steel
- Battery Operated Ignition
- Double-Jet System (L&R) Triple-Ring
- Cast-Iron Trivets
- Flame Supervision Device

Overall Dimension (mm)

W:860 x D:510 x H:65

Cut-out Dimension (mm)

W:700-840 x D:400-480, 4-R120



OS-803SV

General Specification:

- Stainless Steel
- Battery Operated Ignition
- Double-Jet System (L&R) Triple-Ring
- Cast-Iron Trivets
- Flame Supervision Device

Overall Dimension (mm)

W:860 x D:510 x H:65

Cut-out Dimension (mm)

W:700-840 x D:400-480, 4-R120



OS-812SV

General Specification:

- Stainless Steel
- Battery Operated Ignition
- Double-Jet System (L) Triple-Ring
- Cast-Iron Trivets
- Medium and Small Burners
- Flame Supervision Device
- Left Gas-Inlet

Overall Dimension (mm)

W:860 x D:510 x H:65

Cut-out Dimension (mm)

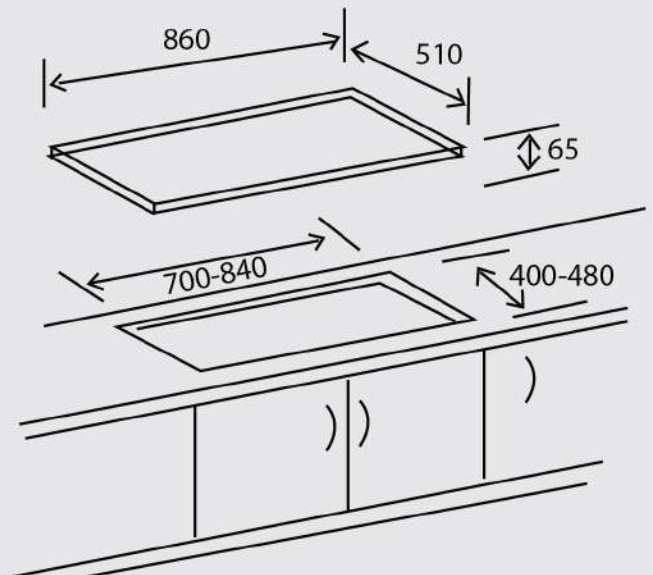
W:700-840 x D:400-480, 4-R120



Blossom Flame



Safety Device





WG-830SV

General Specification:

- Toughened Glass
- Battery Operated Ignition
- Double-Jet System (L&R) Triple Ring
- Medium Burner (C)
- Cast-Iron Trivets
- Flame Supervision Device

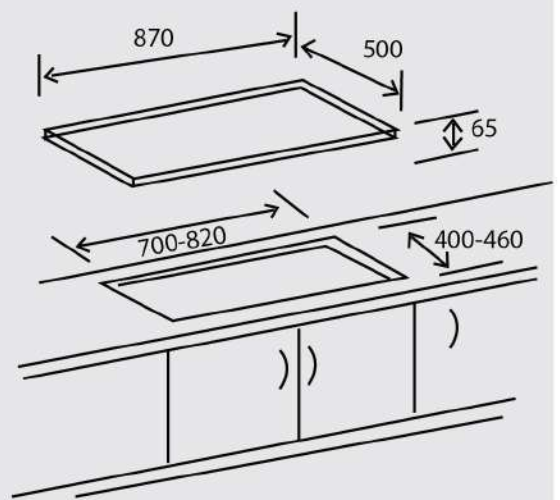
Overall Dimension (mm)
W:870 x D:500 x H:65
Cut-out Dimension (mm)
W:700-820 x D:400-460, 4-R120



Blossom Flame



Safety Device

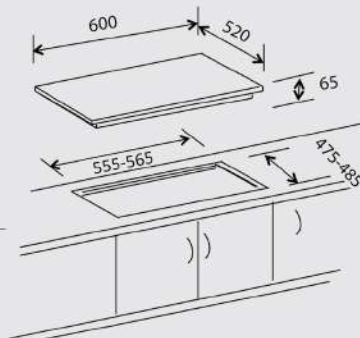


WG-248SV

General Specification:

- Toughened Glass
- Battery Operated Ignition
- Double-Jet System (L) Triple Ring
- Medium and Small Burners
- Cast-Iron Trivets
- Flame Supervision Device

Overall Dimension (mm)
W:600 x D:520 x H:65
Cut-out Dimension (mm)
W:555-565 x D:475-485, 4-R30



Blossom Flame



Safety Device

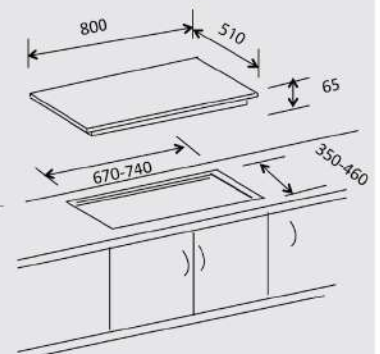


WG-25V

General Specification:

- Toughened Glass
- Battery Operated Ignition
- Double-Jet System (L&R) Triple Ring
- Cast-Iron Trivets
- Flame Supervision Device

Overall Dimension (mm)
W:800 x D:510 x H:65
Cut-out Dimension (mm)
W:670-740 x D:350-460, 4-R50



Blossom Flame



Safety Device



Air-Flow: 550 m³/h

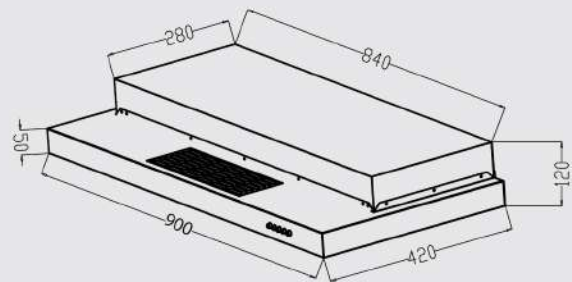
Noise Level: 56db (LPA)



EH-2990

General Specification:

- 900mm Slim-Line Hood
- Stainless Steel Finishing With Black Acrylic Front Panel
- 2 x 70W Motor
- 1 x 8W LED Stripe Light
- 3-Speed Mechanical Push Button Control
- 1 x Stainless Steel Plate-Cover
- 1 x Carbon Mat

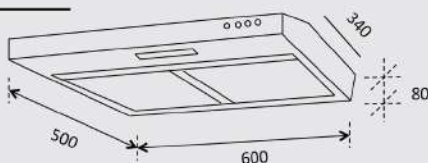


EH-9160

General Specification:

- 600mm Conventional Hood
- Stainless Steel Finishing With Black Acrylic Front Panel
- 2 x 100W Motor
- 1 x 40W Warm Light
- 3-Speed Mechanical Push Button Control
- 2 x Alu Filter & 2 x Carbon Mat

Air-Flow: 450 m³/h
Noise Level: 61db (LPA)



EH-9180



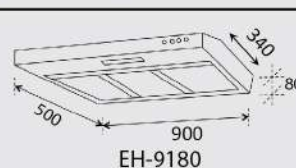
EH-9280

EH-9180 / EH-9280

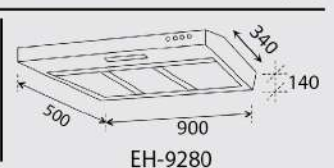
General Specification:

- 900mm Conventional Hood
- Stainless Steel Finishing With Black Acrylic Front Panel
- 2 x 100W Motor
- 1 x 40W Warm Light
- 3-Speed Mechanical Push Button Control
- 3 x Alu Filter & 3 x Carbon Mat (EH-9180)
- 3 x Alu Filter & 3 x Carbon Mat (EH-9280)

Air-Flow: 450 m³/h
Noise Level: 61db (LPA)



EH-9180



EH-9280



EH-6180

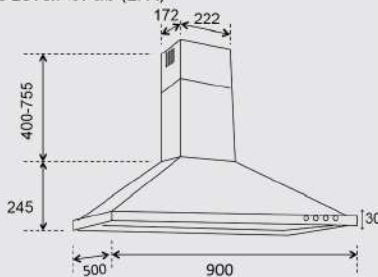
General Specification:

- 900mm Chimney Hood
- Stainless Steel Finishing
- 1 x 210W Motor
- 2 x 2W LED Light
- 3-Speed Mechanical Push Button Control
- 3 x Stainless/Aluminium Metallic Filter
- 2 x Charcoal Filter



Air-Flow: 800 m³/h

Noise Level: 67db (LPA)



EH-2880

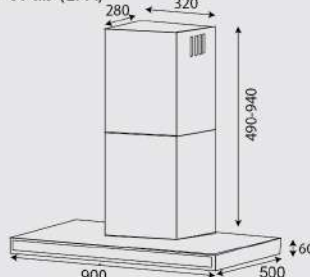
General Specification:

- 900mm Chimney Hood
- Stainless Steel Finishing
- 1 x 300W Motor
- 1 x 8W LED Stripe Light
- 4-Speed Soft Touch Switch
- 3 x Aluminium Metallic Filter
- 2 x Charcoal Filter



Air-Flow: 1000 m³/h

Noise Level: 67db (LPA)



EH-2690

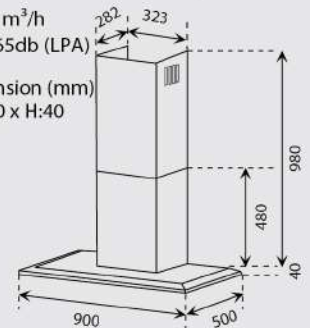
General Specification:

- 900mm Designer Hood
- Anodize Aluminum + Black Paint
- 1 x 210W Motor
- 2 x 1.5W Square LED Light
- 3-Speed Electronic Button with Backlight and Blue EL Light
- 3 x Aluminium Metallic Filter with Coating
- 2 x Charcoal Filter

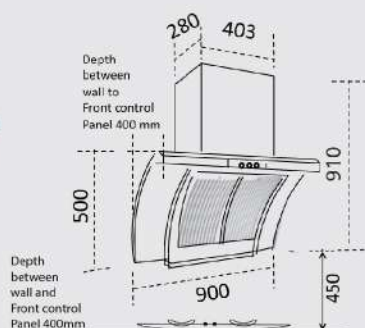
Air-Flow: 800 m³/h

Noise Level: 65db (LPA)

Overall Dimension (mm)
W:900 x D:500 x H:40
+ [480-980]



EH-2688



General Specification:

- 900mm Wall-Mount Hood
- Stainless Steel Body with Arch Glass
- 1 x 270W Motor
- 2 x 1.5W LED Light
- 3-Speed push button control
- 2 x Stainless Steel Baffle Filter
- 1 x Charcoal Filter

Air-Flow: 1200 m³/h

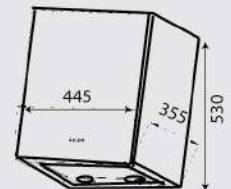
Noise Level: 58db (LPA)



AG



BK



EH-2800

General Specification:

- 450mm Box Hood
- Stainless Steel Finishing
- Body Colour with Apple-Green or Black
- 1 x 210W Motor
- 2 x 1.5W Multi LED Light
- 3-Speed Electronic Button with Backlight
- 1 x Aluminium Filter
- 2 x Charcoal Filter


Air-Flow: 800 m³/h

Noise Level: 65db (LPA)

Overall Dimension (mm)
W:445 x D:355 x H:530 +
[450-940]

Optional
Chimney [450-940]



		EH-9160	EH-9180	EH-9280	EH-2990	EH-6180	EH-2800	EH-2880	EH-2690	EH-2688
Hood										
	Hob	W-600 x D-500 x H-80 Airflow: 450m ³ /h	W-900 x D-500 x H-80 Airflow: 450m ³ /h	W-900 x D-500 x H-140 Airflow: 450m ³ /h	W-900 x D-420 x H-50+70 Airflow: 550m ³ /h	W-900 x D-500 x H-645 Airflow: 800m ³ /h	W-445 x D-355 x H-530 Airflow: 850m ³ /h	W-900 x D-500 x H-550 Airflow: 1000m ³ /h	W-900 x D-500 x H-520 Airflow: 850m ³ /h	D-400 x H-910 Airflow: 1200m ³ /h
EB-228SV	 W: 650-730 x D: 350-420 x H: 65	\$726 Usual: \$806	\$726 Usual: \$806	\$746 Usual: \$826	\$746 Usual: \$866	\$796 Usual: \$946	\$1016 Usual: \$1166	\$1,236 Usual: \$1337	\$1,236 Usual: \$1337	\$1,456 Usual: \$1606
EB-248SV	 W: 555-565 x D: 475-485 x H: 65	\$786 Usual: \$866	\$786 Usual: \$866	\$806 Usual: 886	\$806 Usual: \$876	\$856 Usual: \$1006	\$1,076 Usual: \$1226	\$1,296 Usual: \$1397	\$1,296 Usual: \$1397	\$1,616 Usual: \$1666
EB-338SV	 W: 650-730 x D: 350-420 x H: 65	\$776 Usual: \$856	\$776 Usual: \$856	\$796 Usual: \$876	\$796 Usual: \$876	\$846 Usual: \$996	\$1,066 Usual: \$1216	\$1,286 Usual: \$1387	\$1,286 Usual: \$1387	\$1,506 Usual: \$1676
OS-802SV	 W: 700-840 x D: 400-480 x H: 65	\$786 Usual: \$866	\$786 Usual: \$866	\$806 Usual: \$886	\$806 Usual: \$876	\$856 Usual: \$1006	\$1,076 Usual: \$1226	\$1,296 Usual: \$1397	\$1,296 Usual: \$1397	\$1,516 Usual: \$1686
OS-803SV	 W: 700-840 x D: 400-480 x H: 65	\$836 Usual: \$916	\$836 Usual: \$916	\$856 Usual: \$926	\$856 Usual: \$926	\$906 Usual: \$1056	\$1,126 Usual: \$1276	\$1,346 Usual: \$1447	\$1,346 Usual: \$1447	\$1,566 Usual: \$1736
OS-812SV	 W: 700-840 x D: 400-480 x H: 65	\$836 Usual: \$916	\$836 Usual: \$916	\$856 Usual: \$926	\$856 Usual: \$926	\$906 Usual: \$1056	\$1,126 Usual: \$1276	\$1,346 Usual: \$1447	\$1,346 Usual: \$1447	\$1,566 Usual: \$1736
WG-2SV	 W: 670-740 x D: 350-460 x H: 65	\$746 Usual: \$826	\$746 Usual: \$826	\$766 Usual: \$846	\$766 Usual: \$836	\$816 Usual: \$966	\$1,036 Usual: \$1186	\$1,256 Usual: \$1357	\$1,256 Usual: \$1357	\$1,476 Usual: \$1646
WG-248SV	 W: 555-565 x D: 475-485 x H: 65	\$816 Usual: \$896	\$816 Usual: \$896	\$836 Usual: \$916	\$836 Usual: \$906	\$886 Usual: \$1036	\$1,106 Usual: \$1256	\$1,326 Usual: \$1427	\$1,326 Usual: \$1427	\$1,546 Usual: \$1716
WG-830SV	 W: 700-820 x D: 400-460 x H: 65	\$866 Usual: \$946	\$866 Usual: \$946	\$886 Usual: \$966	\$886 Usual: \$956	\$936 Usual: \$1086	\$1,156 Usual: \$1306	\$1,376 Usual: \$1477	\$1,376 Usual: \$1477	\$1,596 Usual: \$1766

Date :21 March 2023

Sole Agent: INOS Private Limited |

Note: Specifications may vary and are subject to change without prior notice.

Blk 3014A Ubi Road 1 #04-12 Mapletree Ind. Est. Singapore 408703 | Tel: 6848 7886 / 7888 | www.ellane.com | Email: inquiry@ellane.com